

INSTALLATION INSTRUCTIONS for MARADYNE® H or HC-503012 & H or HC-503024 HEATERS

PREPARATION & MOUNTING

Position the heater and determine if clearance and mounting surfaces are adequate. Identify the engine cooling source and return connections, then plan routing of the (2) heater hoses such that they will not be damaged by sharp edges or abrasion. Mark locations to drill for the mounting studs and core tubes using the mounting template provided, then mount the heater.

COOLANT CONNECTIONS

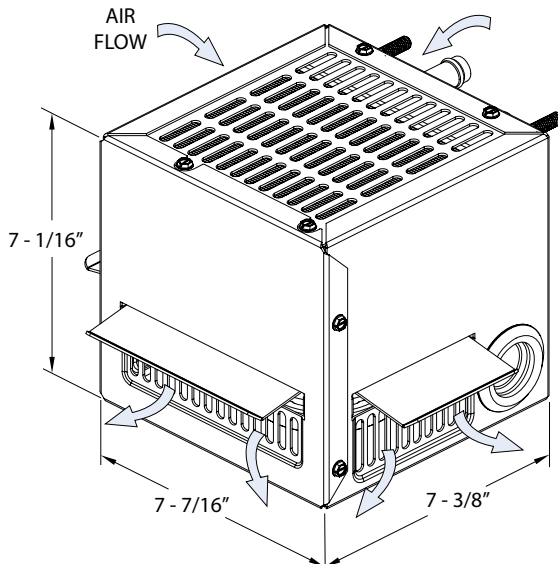
The vehicle cooling system should be cool and drained prior to heater connection. These heaters have one tube marked "inlet" which must be connected to the coolant source and not the return. Connecting heater inlet to the return line will reduce heat output as much as 25%. Plan routing of the wiring and 5/8" heater hoses so they will not be damaged by sharp edges or abrasions. When vehicle has come to normal operating temperature for the first time with heater installed, the cooling system will need to be "topped off" as air trapped during the installation will have escaped.

ELECTRICAL CONNECTIONS

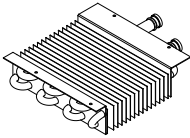
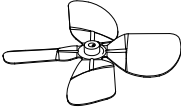
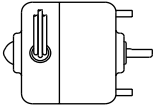
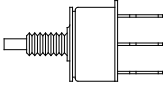
The heater electrical circuit must be fused for safety, with the fuse placed as close to the vehicle's electrical connection as possible. The recommended fuse for H or HC-503012 is 7.5 amps and the recommended fuse for H or HC-503024 is 5 amps. This heater must have a separate ground (-) wire (not included) if mounted on a non-grounded surface. 16 gauge wire is the correct wire size for all connections. The 3-speed fan of these heaters is controlled by a switch as illustrated & provided.

*NOTE: Motor is internally grounded; therefore mounting surface needs to be grounded.

OUTSIDE DIMENSIONS & AIRFLOW

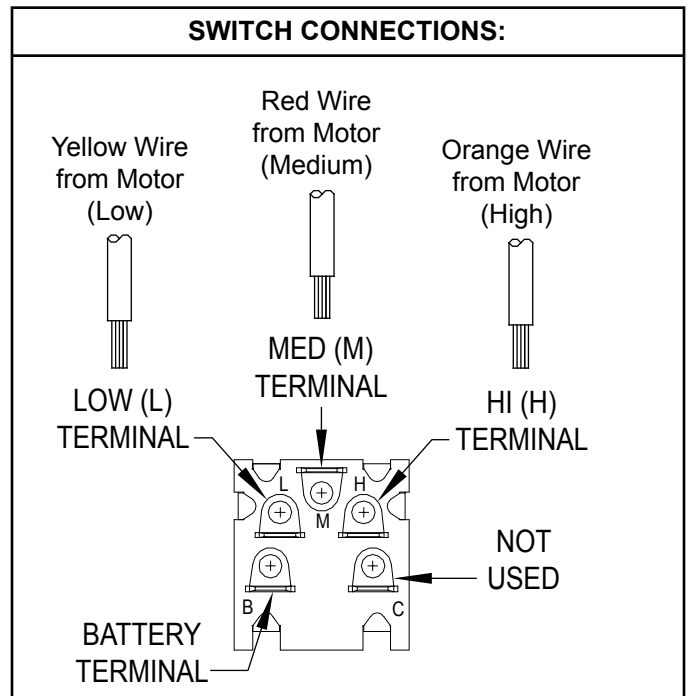


AVAILABLE PARTS:

	PART NO.	DESCRIPTION
	TA8000720	Heater Core
	TA9001515	Fan Blade
	D-001-686 D-001-686-24	Motor 12v Motor 24v
	M-62321-G1	3-Speed Switch

When ordering parts please specify Model, Voltage Part Number, and Description. Optional Defrost Kits MFA-126 and MFA-127 available upon request.

SWITCH CONNECTIONS:



MARADYNE® Mobile Products

4540 W. 160th Street • Cleveland, Ohio 44135 • Ph: (216) 265-8006 ext. 136 • Fx: (216) 362-6342 • www.maradynemobile.com

MOUNTING TEMPLATE for MARADYNE[®] H or HC-503012 & H or HC-503024 HEATERS

HOUSING OUTSIDE

