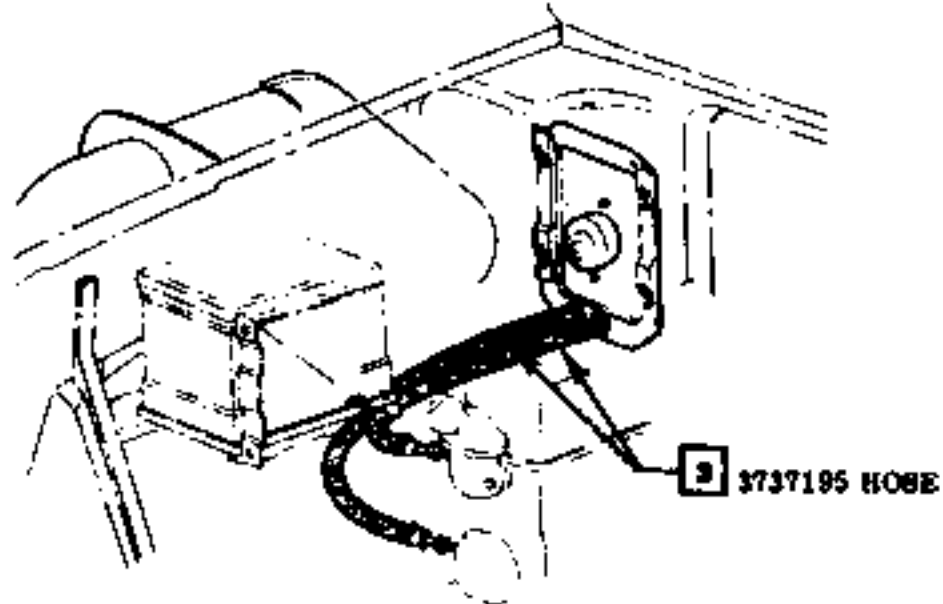
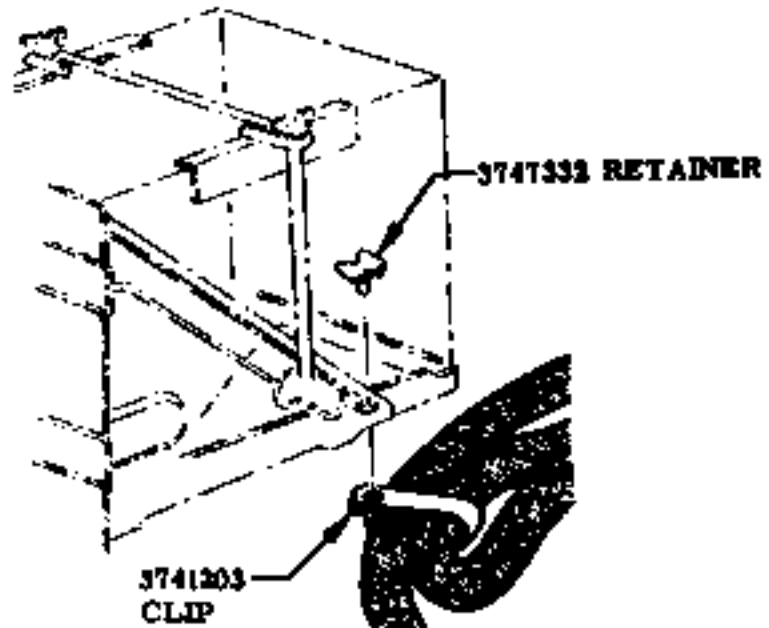


▲ 15-25 LBS. FT.

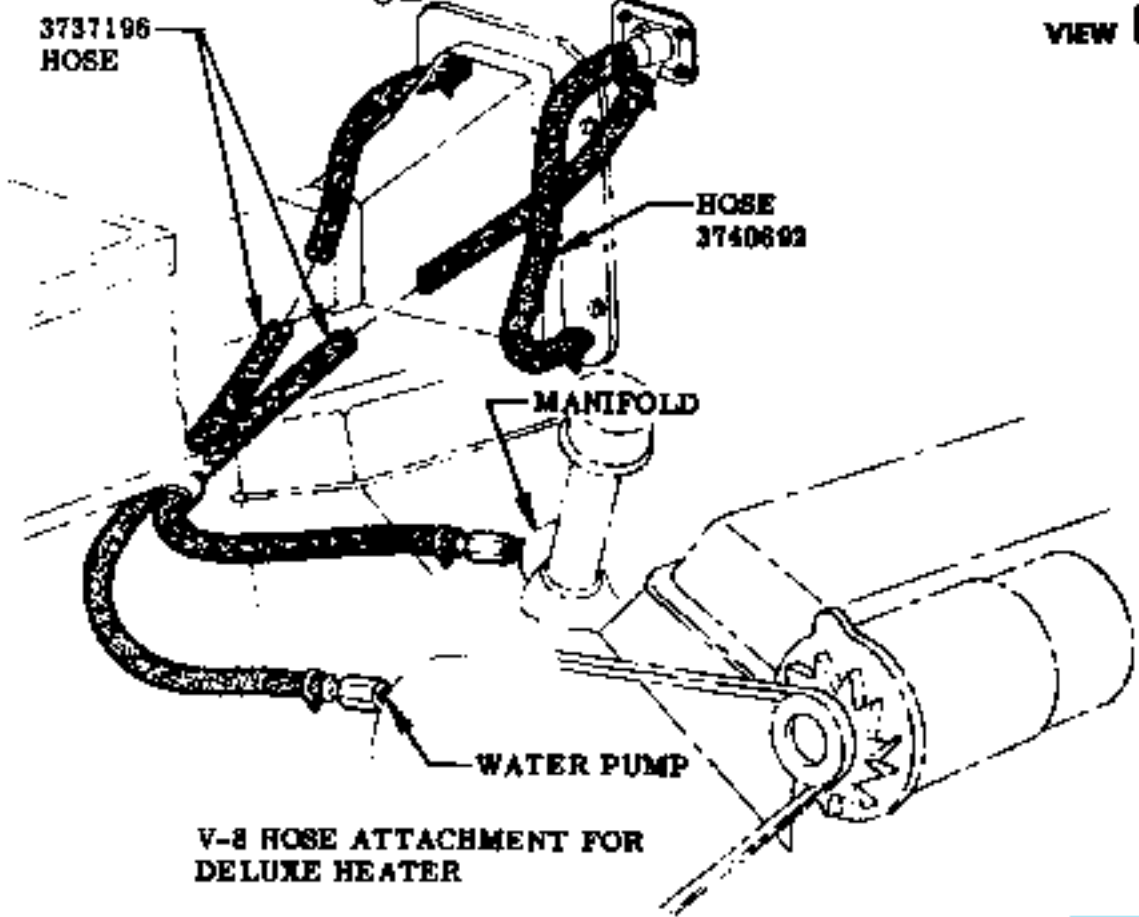


RECIRCULATING HEATER HOSE ATTACHMENT

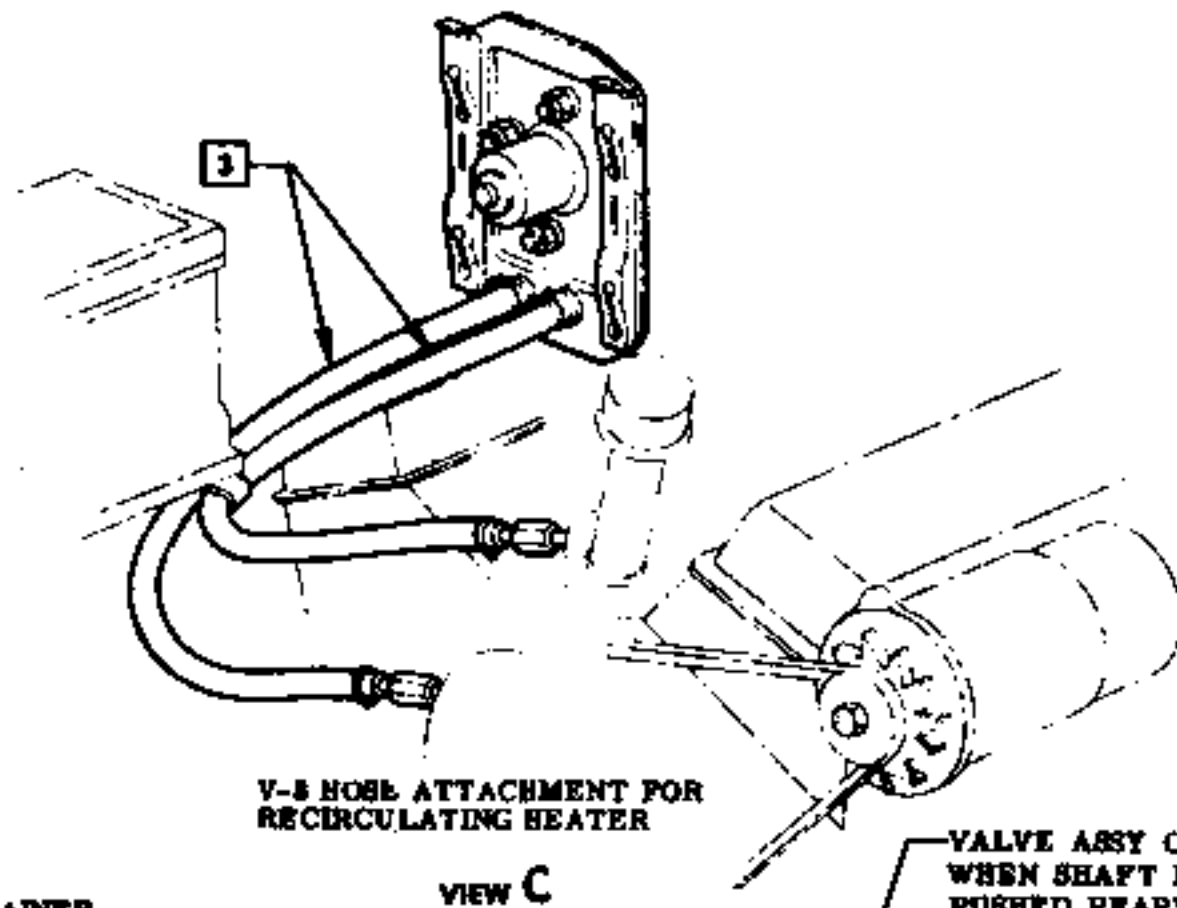
VIEW B



VIEW E

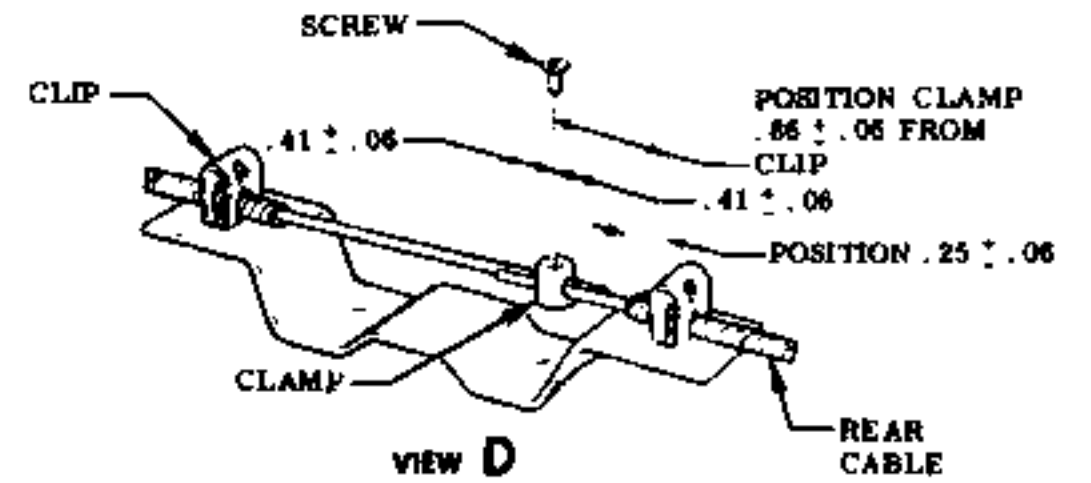


VIEW A



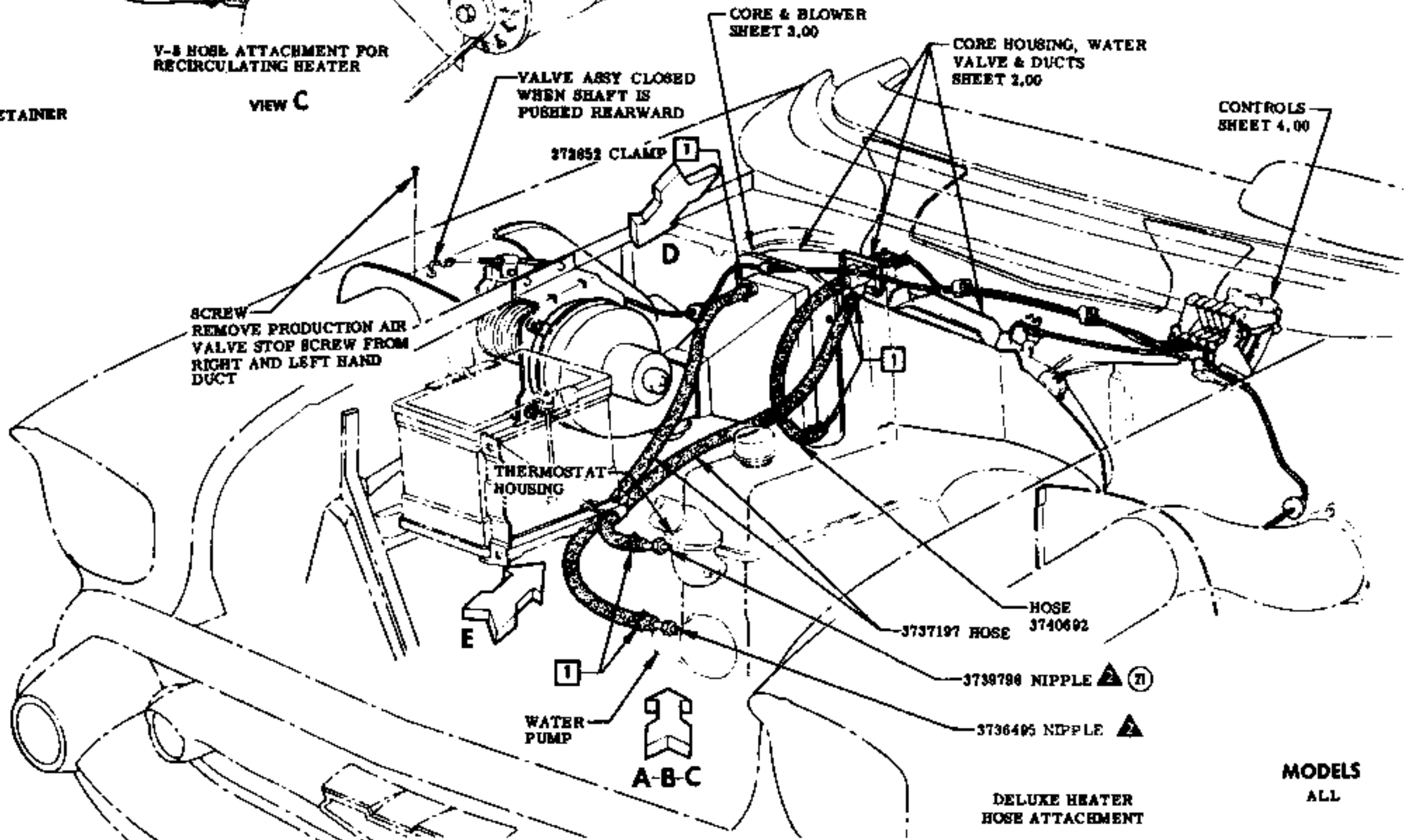
V-8 HOSE ATTACHMENT FOR RECIRCULATING HEATER

VIEW C



VIEW D

PLACE VALVE IN CLOSED POSITION (SEE MAIN VIEW) ASSEMBLE REAR CABLE WITH CONTROL LEVER .12 FROM SLOT OF CONTROL FACE (SEE SHEET 4.00). PLACE CABLE IN BRACKET AS SHOWN AND SECURE CLAMP WITH SCREW.



MODELS ALL

DELUXE HEATER HOSE ATTACHMENT

DELUXE & RECIRCULATING HEATERS



		NAME PASSENGER CAR INSTRUCTION MANUAL		
REF.	DRAWN	CHECKED	F.O.A.	SHEET
21	WAS 3738495	V	F	101
5-13-57	20 REDRAWN	9587		1.00
DATE	SYM.	REVISION RECORD	AUTH. DR. CK.	PART No.
				3736500
			6-26-58	